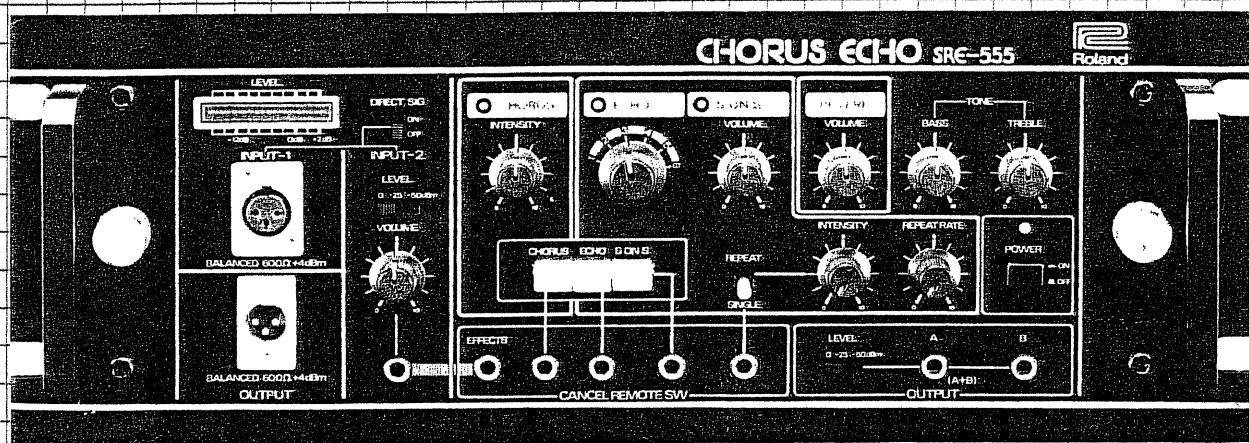


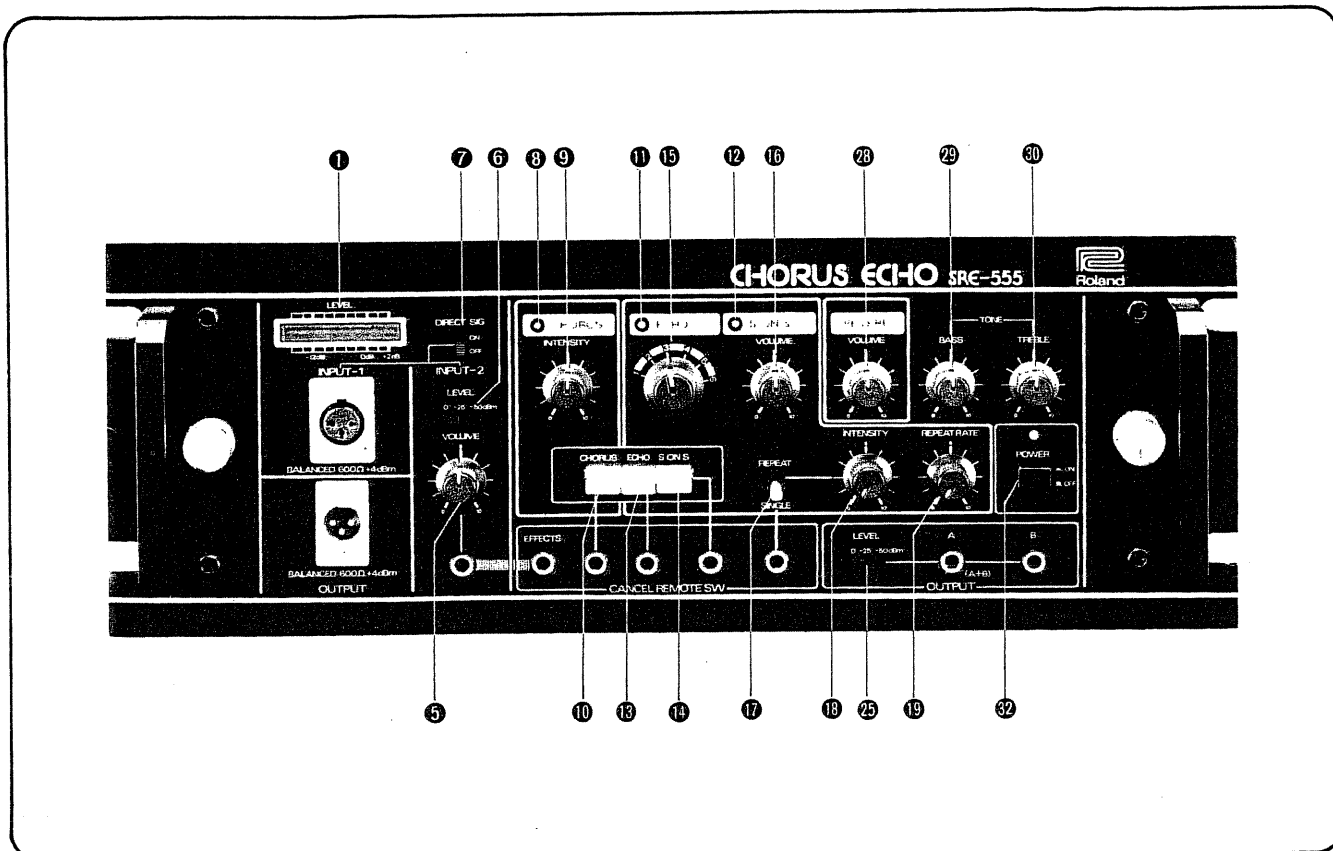
CHORUS ECHO SRE-555

OWNER'S MANUAL



The Roland Rack

OPERATION



1 After making the connections, set the following controls at center (pointing straight up): CHORUS INTENSITY 9, ECHO/S ON S INTENSITY 10, ECHO/S ON S VOLUME 11, ECHO/S ON S REPEAT RATE 12, tone controls 29, 30. Set the INPUT VOLUME control 5, REVERB VOLUME 28, fully counter-clockwise.

2 When using the SRE-555 with mixer echo send and return circuits, set the DIRECT SIGNAL switch 7 at OFF; for other situations, set at ON.

3 Set the INPUT LEVEL switch 16 as needed.

4 Set the OUTPUT LEVEL switch 25 as needed.

5 Turn the POWER switch 32 ON.

6 Turn up the INPUT VOLUME control 5. Set the CHORUS 10, ECHO 11, and S ON S EFFECT 14 switches at OFF (buttons in the raised positions).

7 Set the INPUT VOLUME control 5 so that the INPUT LEVEL INDICATOR 1 reads an average of 0dB when inputting sound.

NOTE: The INPUT VOLUME control 5 does not affect the balanced input.

USING THE CHORUS EFFECT

Set the controls at their normal positions as given above.

1 Depress the CHORUS ON/OFF button 10 and note that the CHORUS indicator 8 lights.

2 Adjust the depth of the chorus effect with the CHORUS INTENSITY Control 9.

USING THE ECHO EFFECT

Set the controls at their normal positions as given previously.

1 Depress the ECHO ON/OFF button 11 and note that the ECHO indicator 11 lights.

2 Adjust the depth of the echo effect with the ECHO/S ON S VOLUME control 11.

3 Set the ECHO MODE SELECTOR switch 15 for the desired echo pattern

4 Set the ECHO/S ON S REPEAT RATE control 12 for the desired repeat rate.

5 Set the SINGLE DELAY switch 17 at REPEAT (up).

6 Adjust the ECHO/S ON S INTENSITY control 10 so as to produce the desired number of echo repetitions.

USING THE SOUND-ON-SOUND EFFECT

Set the control at their normal positions as given previously.

1 Depress the S ON S (sound-on-sound) EFFECT ON/OFF switch 14 and note that the S ON S indicator 12 lights.

2 For repetitive sound-on-sound effects, set the SINGLE DELAY switch 17 at REPEAT (up) and use the ECHO/S ON S INTENSITY control 10 to control the number of repetitions.

USING THE SINGLE DELAY

When using echo or sound-on-sound effects, setting the SINGLE DELAY switch 17 at SINGLE (down) will produce only one repetition of the effect.

USING REVERBERATION

Set the controls at their normal positions as given previously.

Set the REVERB VOLUME control 28 for the desired effect.

The four effects: chorus, echo, sound-on-sound, and reverberation can be used alone, or freely together in any combination.

CHORUS ECHO

The SRE-555 is the first rack mounted echo chamber of the tape system.

FEATURES

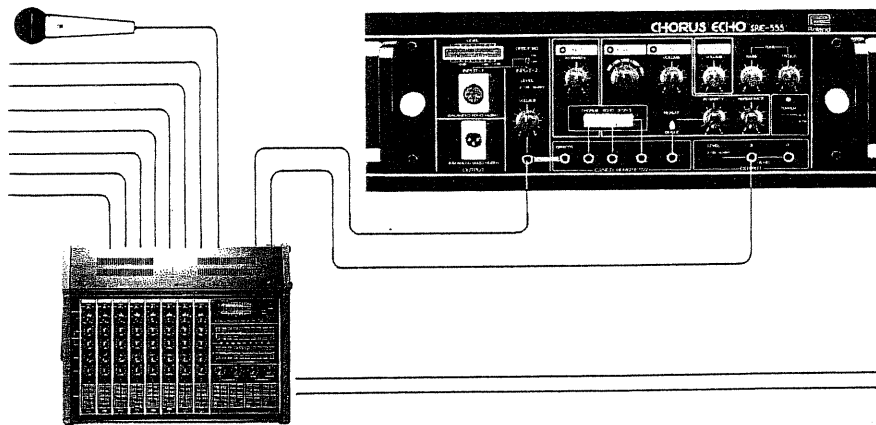
- Echo, chorus, reverb, and sound-on-sound can be freely combined for numerous effects.
- Free running tape system minimizes wow and flutter and extends tape life to more than 300 hours without deterioration of sound quality.
- Dual outputs for "three dimensional" sound effects.
- Low noise; clean well-balanced echo sound.
- Indicators show instantly whether echo, chorus, or sound-on-sound are ON or OFF.
- A foot switch can be used for remote switching of the echo, chorus, and sound-on-sound ON/OFF function.
- Both balanced and unbalanced input and output.
- Maintenance (e.g., changing tapes, etc.) can be done easily while it is mounted on a rack.

NOTES

- Keep away from interferences that induce high levels of noise. Such as fluorescent lamps, neon lights and transformers as much as possible.
- Avoid the use of this instrument in places that are dusty, of high temperature or high humidity.
- Clean the control panel with neutral detergent. Use a soft, dry cloth for the wooden parts. Do not use Solvents such as paint thinner.

STANDARD CONNECTIONS

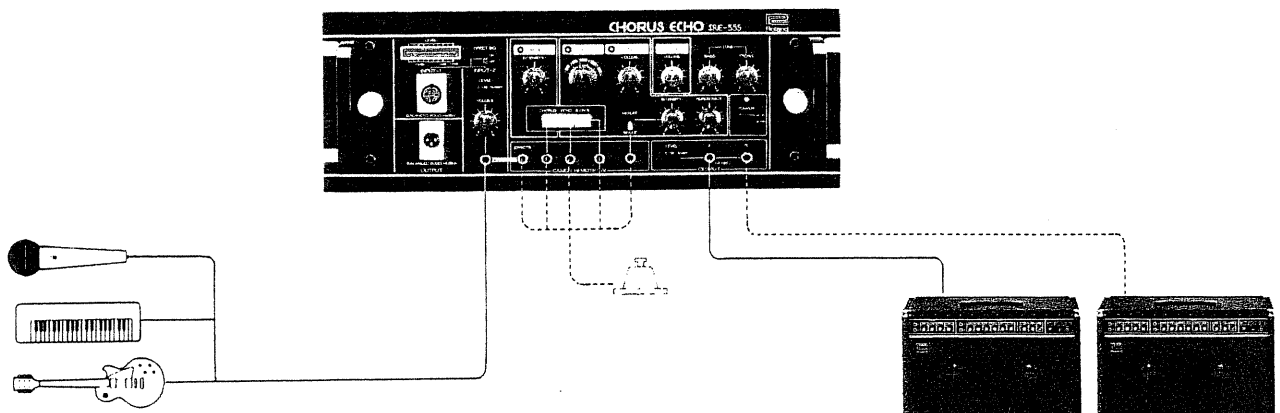
● PA and Vocal Mixers



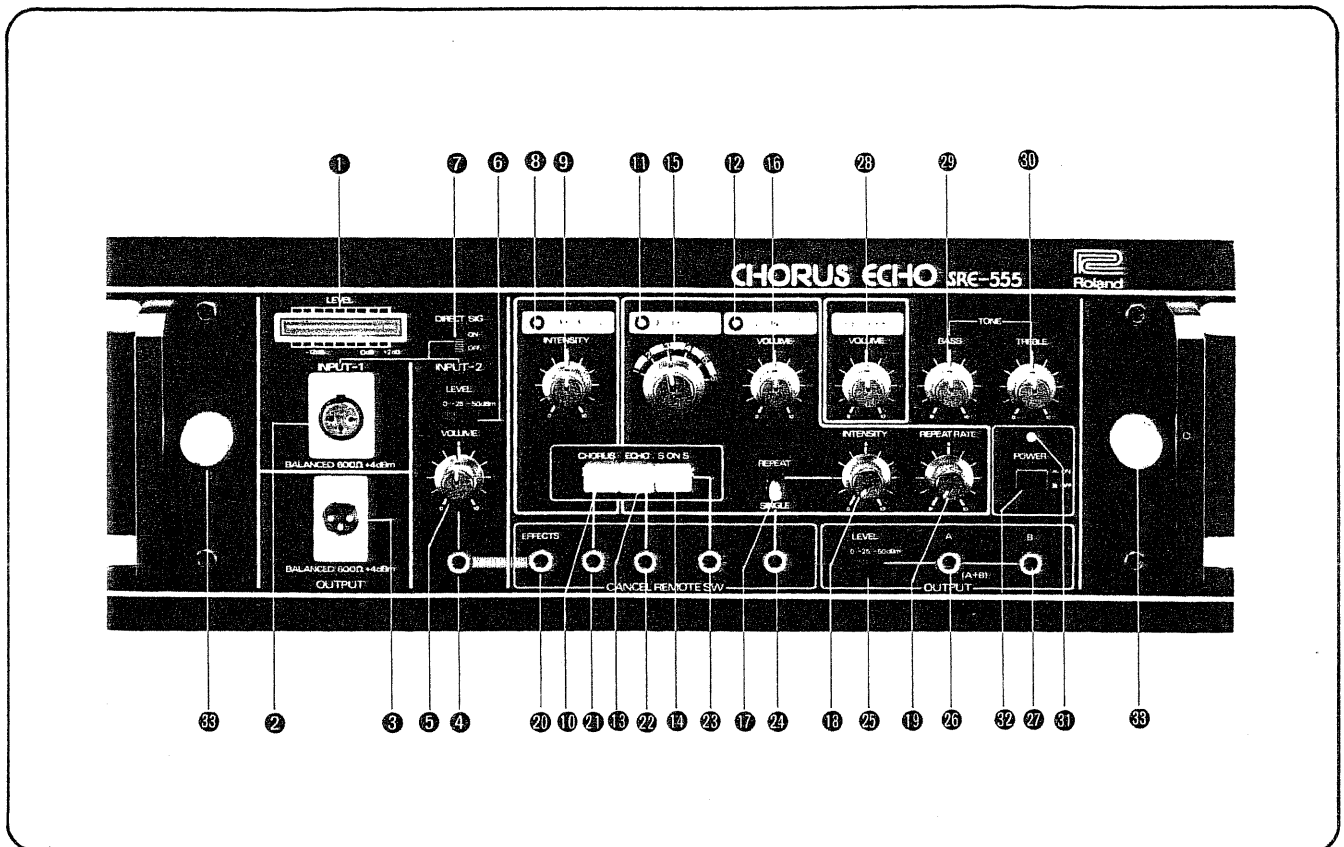
If the mixer ECHO SEND and ECHO RETURN use balanced XLR type connectors with +4dBm signal levels, or levels near 0dBm, use the SRE-555 balanced input and output.

The echo level is controlled by the echo send control on each mixer input channel, by the echo INPUT VOLUME control ⑤, and by the mixer echo return level control(s).

● Microphones and Instruments



CONTROLS AND THEIR FUNCTIONS



1 INPUT LEVEL INDICATOR

Set input level so normal reading is 0 dBm, with occasional peaks at +2dBm.

2 BALANCED INPUT Connector (XLR) (600Ω)

+4dBm input causes INPUT LEVEL INDICATOR 1 to read 0dBm. Volume control 5 does not affect balanced input.

3 BALANCED OUTPUT Connector (XLR) (600Ω)

When the INPUT LEVEL INDICATOR 1 reads 0dB, the balanced output will be +4dBm. This connector has no relation with the A and B outputs 26 27; all effects appear at this output.

4 UNBALANCED INPUT Jack

For guitar, keyboard, microphone, etc.

5 VOLUME Control

Controls input level from UNBALANCED INPUT 4

6 INPUT LEVEL SELECTOR Switch

For level matching. Example settings: Microphone: -50dBm; Guitar: -25dBm; Synthesizer; Mixer: 0dBm or -25dBm.

7 DIRECT SIGNAL Switch

When OFF, only the effect signals will appear at the outputs. Use this mode in effect loops such with mixer SEND/RETURN jacks. When ON, the direct signal will be mixed with the effect outputs.

8 CHORUS Indicator

Lights when the chorus effect is ON.

9 CHORUS INTENSITY Control

Controls the intensity of the chorus effect when ON.

10 CHORUS ON/OFF Button

Depress for ON.

11 ECHO Indicator

Lights when the echo effect is ON.

12 S O N S (Sound-on-sound) Indicator

Lights when the sound-on-sound effect is ON.

13 ECHO ON/OFF Button

Depress for ON.

14 S O N S (Sound-on-sound) EFFECT ON/OFF Button

Depress for ON.

15 ECHO MODE SELECTOR Switch
ECHO 1, 2, and 3 are single slap echo modes; ECHO 4, 5, and 6 are multiple slap echo modes.

HEAD	MODE					
	1	2	3	4	5	6
PLAY	●			●		●
BACK		●		●	●	●
HEAD			●		●	●

16 ECHO/S ON S VOLUME Control
Controls the level of the echo and sound-on-sound effects without affecting the direct sound (when used).

17 SINGLE DELAY Switch
For producing single delay echo and sound-on-sound effects. Double and triple delays will be produced with the ECHO MODE switch 15 at 4, 5, or 6 because more than one playback head is being used.

18 ECHO/S ON S INTENSITY Control
Controls the number of echo and sound-on-sound repetitions. At about "7" or "8" ("8" = 3 o'clock), self oscillation occurs. Single delays can be produced at SINGLE DELAY.

19 ECHO/S ON S REPEAT RATE Control
Controls the time between echo and sound-on-sound repetitions by changing the tape speed. Interesting effects can be produced by changing the REPEAT RATE 19 while producing sound.

20, 21, 22, 23, 24 CANCEL REMOTE SWITCH Jacks
For remote ON/OFF control of the various effects. 20 controls ON/OFF of all effects. 21, 22, and 23 controls ON/OFF of the chorus, echo, and sound-on-sound effects. 24 allows switching between SINGLE and REPEAT effects.

25 OUTPUT LEVEL SELECTOR Switch
For level matching of the UNBALANCED OUTPUTS 26-27. Example of use: Microphone amplifier: -50dBm; Guitar amplifier: -25dBm.

26, 27 A and B OUTPUT Jacks (Unbalanced)
When using only one amplifier, use the A OUTPUT 26. Use both OUTPUTS 26-27 with two amplifiers for stereo effects.

EFFECT	OUTPUT			
	A	B	A ONLY	BALANCE OUTPUT
DIRECT SOUND	●		●	●
ECHO		●	●	●
REVERBERATION	●		●	●
CHORUS	●	●	●	●
SOUND-ON-SOUND		●	●	●

When the A OUTPUT 26 only is used, all effects will appear at the A OUTPUT 26.

28 REVERBE VOLUME Control
Controls the level of the reverberation effect.

29 BASS TONE Control

30 TREBLE TONE Control
For tone control of the effects. Leave controls straight up for flat response. Does not affect direct sound.

31 PILOT Lamp

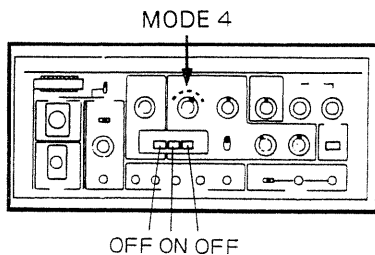
32 POWER Switch

ABOUT THE INPUTS AND OUTPUTS
The inputs and outputs may be used freely in any desired combination. The BALANCED INPUT 28 and the UNBALANCED INPUT 29 are mixed internally so that both may be used simultaneously, if desired. The output produces enough power so that the BALANCED OUTPUT 30 and UNBALANCED OUTPUTS 26-27 may also be used simultaneously.

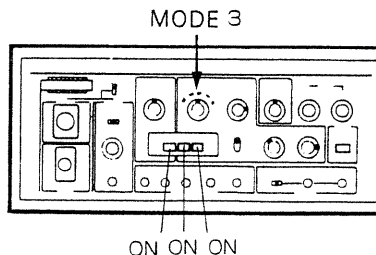
33 Coin Screw
This is for firmly holding in position the echo chamber on the rack installation holder. Have the screw firmly in place at all times except for when removing the echo chamber.

USING THE SRE-555

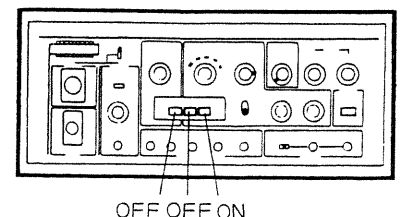
Example 1:
For adding spatial effects to keyboard and vocal music. Set the controls for the desired effect.



Example 2:
For producing spatial effects with very long delays for a science fiction-like effect. Good input sounds are those which are relatively sustaining and have a slow attack. This setting uses sound-on-sound with a long delay.



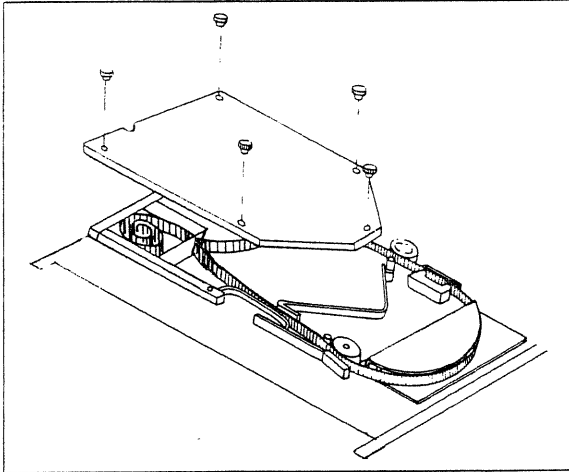
Example 3:
With the REPEAT RATE control 19 set so as to produce a delay of from 0.55 to 1.8 seconds, individual phrases can be joined together for a continuous effect.



TO REPLACE TAPE

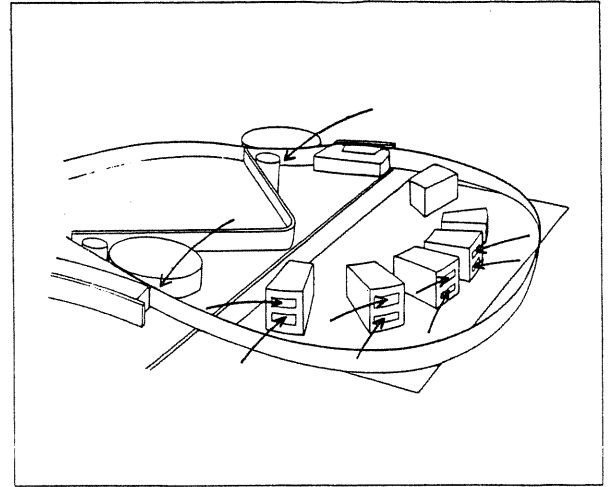
- Remove the five nuts and the acrylic cover.
- Remove the old tape; clean all surfaces that come in contact with the tape, including bearings, heads, guides, motor shaft, etc. Use tape head cleaner.
- Place the new tape-pack as shown. Pull the tape out and thread it as shown. It is a good idea to avoid direct contact between your skin and the exposed tape by wearing clean cotton gloves.
- Replace the acrylic cover. The empty tape-pack may be left in place until it is time to change tapes again.
- Turn on the power switch to run the tape. Approximately five minutes of running is required to insure good tape-to-head contact.

*The replacement tape RT-1L should last over 300 hours.



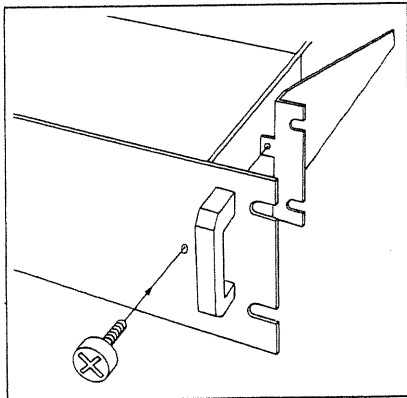
CLEANING

Portions indicated with arrows should be cleaned regularly in order to maintain good sound quality. Pay particular attention to the tape heads. Use cotton-tipped swabs and rubbing alcohol or a commercial tape head cleaner.

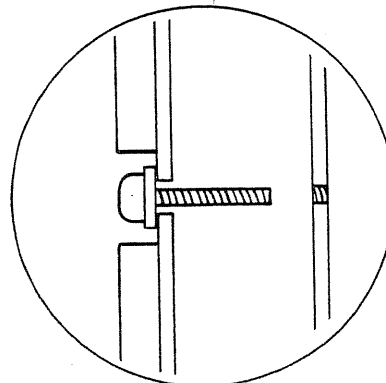
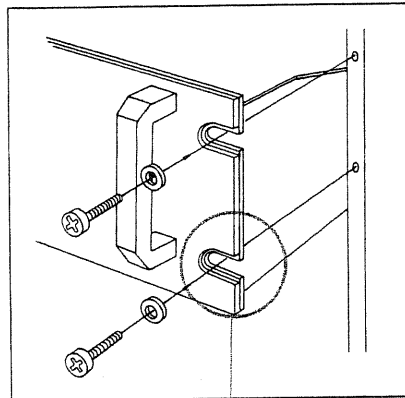
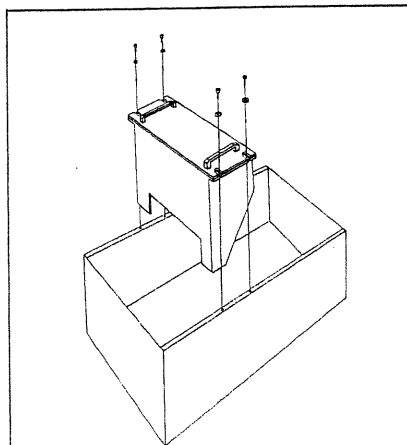


Mounting on the 19" Rack and Precautions

- 1 Screw in the stationary coin screw of the front panel into the rack installation holder.
- 2 Laying down the rack will make the fitting of the rack easier.
- 3 Fit the echo chamber on the rack.

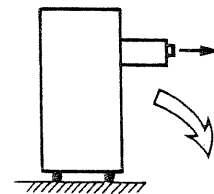


2 Laying down the rack will make the fitting of the rack easier.



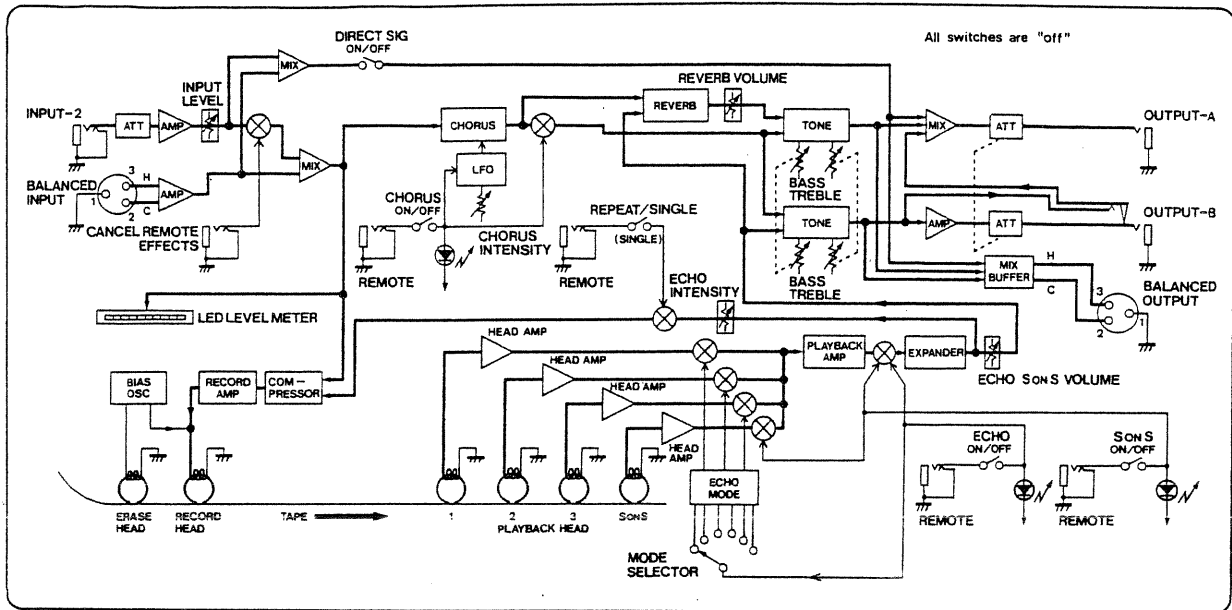
Precautions

- 1 When pulling out the echo unit from the rack, depending on the distribution of weight, the rack might fall down.



- 2 When pulling out the echo chamber, let the AC cord hang loose a little before pulling out the unit.
- 3 Installing equipments that use large transformer as power amplifiers on top of the SRE-555 may induce some humming noise.

BLOCK DIAGRAM



SPECIFICATIONS

Input Level/Impedance

Balanced:	+ 4 dBm/30 k Ω
Unbalanced:	0 dBm/47 k Ω
	- 25 dBm/220 k Ω
	- 50 dBm/6.6 k Ω

Output Level/Impedance

Balanced:	+ 4 dBm/600 Ω
Unbalanced:	0 dBm/More than 5 k Ω
	- 25 dBm/More than 5 k Ω
	- 50 dBm/More than 5 k Ω

Jack

Input Jack (XLR ②, Standard ④)	:2
Output Jack (XLR ③, Standard ⑥ ⑦)	:3
Chancel Remote Jack	:5

Control

Input Volume ⑤	
Chorus Intensity ⑨	
Echo/S on S Volume ⑫	
Intensity ⑬	
Repeat Rate ⑭	
Reverb volume ⑮	
Effect Tone: Treble ⑲	
Bass ⑳	

Switch

Input-2, Level Switch	(0, -25, -50 dBm) ①
Output A, B Level Switch	(0, -25, -50 dBm) ②
Mode Selector (1 ~ 6) ③	
Chorus Switch ⑩	
Echo Switch ⑪	
S on S Switch ⑬	
Single Delay Switch ⑰	
Direct Signal Switch ⑱	
Power Switch ⑳	

Indicator

Level Meter (LED Display) ①	
Chorus ⑧	
Echo ⑫	
S on S ⑬	
Power Pilot ⑳	

Power Consumption: 4W

Dimension:

480(W) x 180(H) x 450 ~ 735(D) mm

Weight: 15.8 kg

Accessories: Connection Cord (x2)
Tape (RT-1L)
Head Cleaner

 Roland®

10261

UPC

10261



10981